



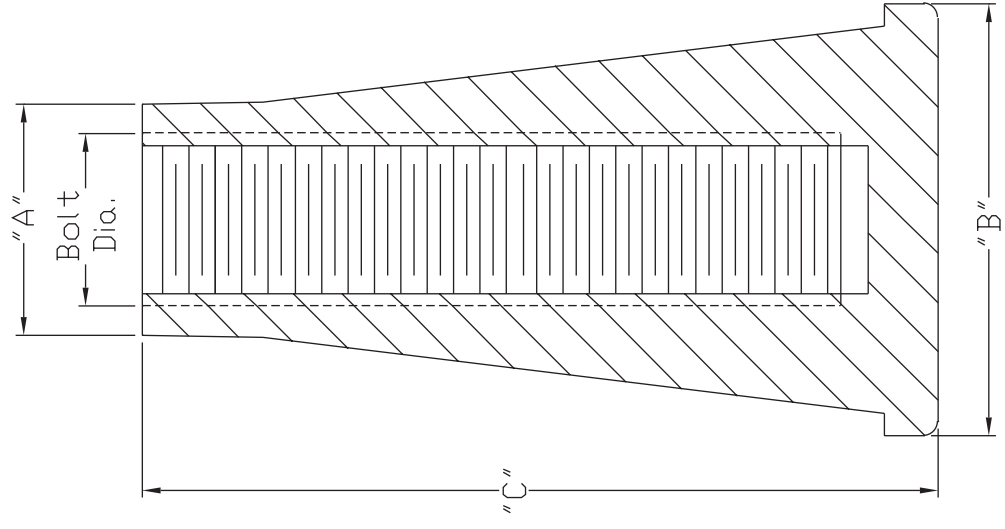
PENNSYLVANIA INSERT
 PO Box 199
 SPRING CITY, PA 19475
 P. 610.948.9688
 F. 610.948.9750

2/4/01

**ZINC ALLOY
 DIE CAST INSERT**

YOU CAN FIND THIS INFORMATION ONLINE AT: PENNSYLVANIAINSERT.COM
 OR EMAIL YOUR REQUEST TO: SALES@PENNSYLVANIAINSERT.COM

DATE: _____ CUSTOMER: _____
 REV 1: _____ JOB: _____
 REV 2: _____ OWNER: _____



Model	Bolt Dia.	Thread N.C.	A	B	C
MI-038	3/8"	16	9/16"	1-3/16"	1-3/8"
MI-050	1/2"	13	7/8"	1-3/8"	2-7/8"
MI-050S	1/2"	13	3/4"	1-1/2"	1-9/16"
MI-063	5/8"	11	7/8"	1-9/16"	2-7/8"
MI-075	3/4"	10	1"	1-3/4"	3"

Specifications: Inserts shall be Zinc Alloy Die Cast Inserts as manufactured by Pennsylvania Insert, Spring City, PA. Inserts shall be cast from zinc alloy ZAMAK5. Inserts shall be used in applications which have been field tested to ensure safe working loads based on field conditions. Inserts shall be used with grade 8 bolts and fully threaded to ensure maximum strength.

Disclaimer: PA Insert makes no warranty that the inserts described herein are merchantable or fit for any particular purpose and there are no warranties, express or implied, which extend beyond the description of the inserts set herein. The purchaser acknowledges the PA Insert has no control over the installation and use of the product. Accordingly, PA Insert cannot assume responsibility for any damage arising out of improper use or installation of its products. PA Insert products are intended for use by trained, qualified, and experienced users only. Misuse or lack of supervision and inspection may result in serious injury or death.